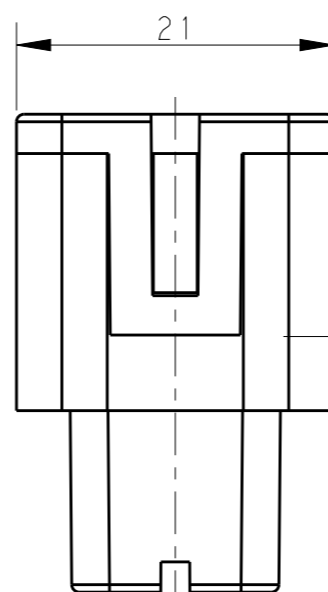
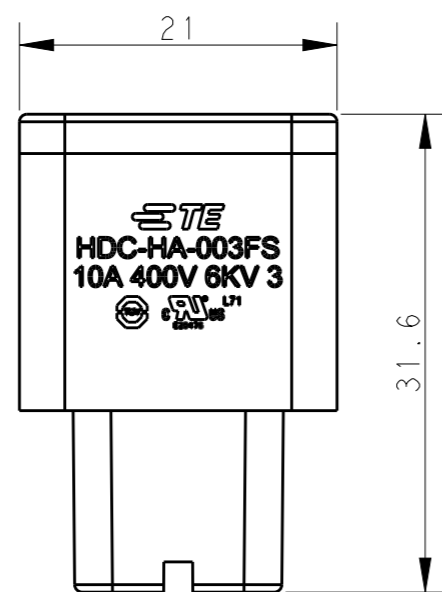
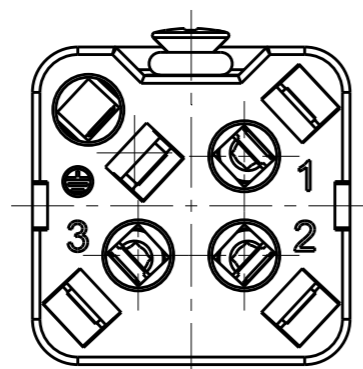
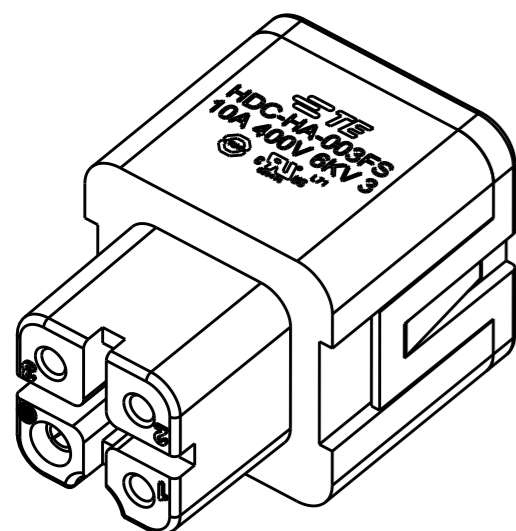
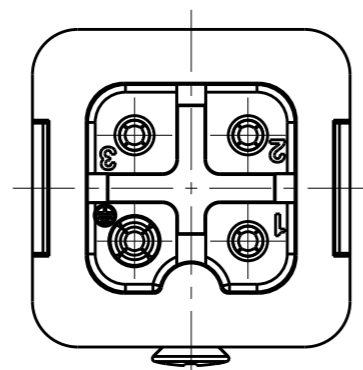


REVISIONS

P	LTR	DESCRIPTION	DATE	DWN	APVD
	A	INITIAL	17MAR2015	DW	CW
	B	ECR-15-013750	19SEP2015	DW	CW
	B1	ECR-15-016224	05NOV2015	DW	CW



M3 SCREW,
RECOMMENDED
TIGHTENING
TORQUE 0.5Nm



NOTES:

- TECHNICAL CHARACTERISTICS:
INSULATION MATERIAL: PC
RATED VOLTAGE: 400 V
RATED CURRENT: 10 A
INSULATION RESISTANCE: $\geq 400M\Omega$
RATED IMPULSE VOLTAGE: 6 KV
POLLUTION DEGREE: 3
FLAMMABILITY: UL94V-0
MATING CYCLES: 500 CYCLES
OPERATION TEMPERATURE: -40-+125°C
WIRE RANGE: 0.5-2.5 mm² (20-14 AWG)
CONTACT FINISH: SILVER PLATED
CONTACT TYPE: SPRING CONTACT

注释:

- 技术参数:
绝缘材料: PC
额定电压: 400V
额定电流: 10A
绝缘电阻: $\geq 400M\Omega$
额定脉冲电压: 6 KV
污染等级: 3
阻燃等级: UL94V-0
插拔次数: 500 次
工作温度: -40-+125°C
接线范围: 0.5-2.5 mm² (20-14 AWG)
端子表面处理: 镀银
接线类型: 弹片压接

THIS DRAWING IS A CONTROLLED DOCUMENT.

DIMENSIONS:	TOLERANCES UNLESS OTHERWISE SPECIFIED:
mm	
	0 PLC ±-
	1 PLC ±-
	2 PLC ±-
	3 PLC ±-
	4 PLC ±-
	ANGLES ±-
MATERIAL	FINISH
-	-
-	-

DWN	17MAR2015
DAVID WANG	
CHK	17MAR2015
CHRIS WANG	
APVD	17MAR2015
XU XIANG	
PRODUCT SPEC	108-137045
APPLICATION SPEC	114-137045
WEIGHT	-
Customer Drawing	

TE Connectivity		NAME		RESTRICTED TO
		HA-003-FS		
SIZE	CAGE CODE	DRAWING NO		
A3	00779	CT2010033201000		
SCALE		SHEET	OF	REV
2:1		1	1	B1